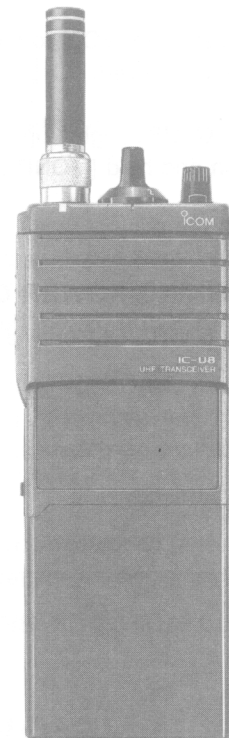


iCOM

INSTRUCTION MANUAL

UHF TRANSCEIVER
IC-U8s1

Icom Inc.



FOREWORD

Thank you for choosing the Icom **IC-U8S1 UHF TRANSCIVER**. Icom uses the most advanced, state-of-the-art engineering concepts and the latest technology.

The **IC-U8S1** meets U.S. Government Military Standard Specifications 810C and 810D for use in harsh environments that include:

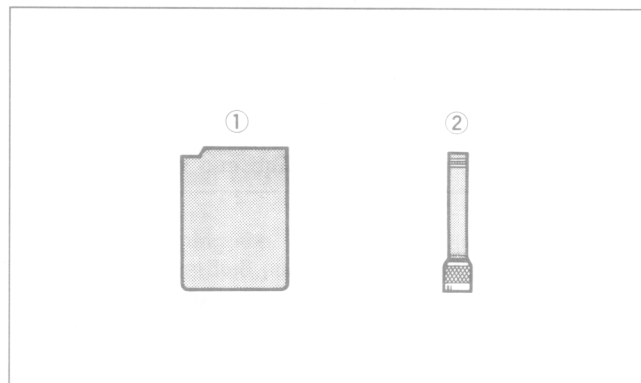
- Low pressure
- Low temperature
- High temperature
- Solar radiation
- Rain
- Humidity
- Soft fog
- Dust
- Vibration
- Shock

To fully appreciate the capabilities of your new **IC-U8S1**, please read this instruction manual carefully before operating.

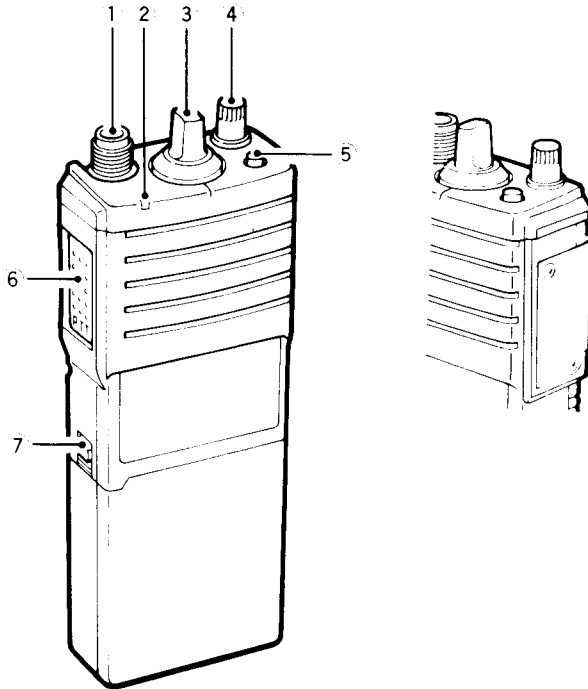
WARNING:

The CM-79 BATTERY PACK must be used in areas where the danger of explosion might exist since the battery pack is designed for intrinsically safe-type transceivers.

UNPACKING



Accessories included with the IC-U8S1:	Qty.
① Battery pack (CM-79)	1
② Flexible antenna	1



① **ANTENNA CONNECTOR**

Connects the supplied flexible antenna.

② **TRANSMIT/BUSY INDICATOR [TX/BUSY]**

Lights up in red while transmitting.

Lights up in green when a channel is busy.

③ **CHANNEL SELECTOR**

Selects a channel. Do not try to rotate beyond the channel lock point. (Channels can be locked by your nearest authorized Icom Dealer).

④ **POWER SWITCH/VOLUME CONTROL [PWR/VOL]**

Turn power ON and OFF, and adjust the audio level.

⑤ **MONITOR SWITCH [MONITOR]**

Push when the [TX/BUSY] indicator lights up in green to listen to the channel.

⑥ **PTT (Push-To-Talk) SWITCH**

Push to transmit, and release to receive.

⑦ **BATTERY PACK RELEASE BUTTON**

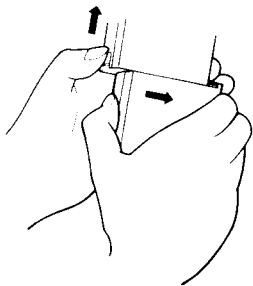
Allows the battery pack to be removed from the transceiver.

■ BATTERY PACK REPLACEMENT

Before replacing the battery pack, [PWR/VOL] **MUST** be fully rotated counterclockwise until a click is heard to turn OFF power.

- 1) To remove the battery pack from the transceiver, push and hold the RELEASE button upward, then slide the battery pack to the right with the transceiver facing you.
- 2) To attach the battery pack to the transceiver, mate the notched ends between the battery pack and the transceiver, then slide the battery pack until a click sound from the latch is heard.

• Battery pack removal

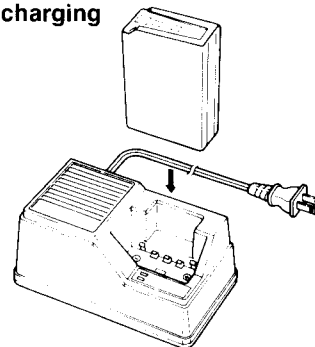


■ BATTERY PACK CHARGING

Prior to using the transceiver for the first time, the battery pack **MUST** be fully charged with the optional BM-71U/E DESKTOP CHARGER.

- 1) Turn ON the optional BM-71U/E DESKTOP CHARGER.
- 2) Put the battery pack in the CHARGING SLOT.
 - The CHG indicator on the BM-71U/E lights up while charging.
 - When the battery pack is attached to the transceiver, [PWR/VOL] **MUST** be OFF.
 - Average charging time is about 1 hour.

• Battery pack charging



■ BATTERY PACK CAUTIONS

NEVER throw the battery pack into a fire. Internal battery gas may cause an explosion.

NEVER put the battery pack in water. If the battery pack is wet, be sure to wipe it dry.

NEVER short terminals of the battery pack. Internal components may be damaged. Current may flow into nearby metal objects.

NEVER replace the battery cells. When the operating time of the battery pack is shortened even full charged, a new battery pack must be purchased.

AVOID charging the battery pack in extreme cold (under 0°C) or extreme heat (over +40°C). The battery pack may not charge fully in these extreme temperatures.

■ LOW BATTERY CONDITION

When the [TX/BUSY] indicator goes out or does not light up while transmitting, the battery should be charged or replaced with a fully charged battery pack.

■ ANTENNA CONNECTION

Insert the connector on the supplied flexible antenna to the antenna connector on the top panel of the transceiver. Screw down securely.

■ RECEIVING

- 1) Rotate [PWR/VOL] clockwise to turn ON power.
- 2) Set the channel selector to the desired channel position.
- 3) Adjust [PWR/VOL] to the desired listening level when a call is received.
- 4) If [TX/BUSY] lights up in green but no audio is emitted, push and hold [MONITOR] to listen to the channel.

■ TURNING POWER OFF

Rotate [PWR/VOL] until a click is heard. Power is now OFF.

■ TRANSMITTING

CAUTION: Transmitting without an antenna may damage the transceiver.

- 1) Turn ON power, then set the channel selector to the desired channel position.
- 2) When [TX/BUSY] lights up in green, wait until the channel is clear before transmitting.
- 3) After confirming the channel is clear, push and hold the PTT switch, and speak into the microphone.
 - [TX/BUSY] lights up in red.
 - **DO NOT** hold the transceiver too closely to your mouth or speak too loudly. This may distort the signal.
- 4) Release the PTT switch to return to receive.

■ OPTIONS

• BATTERY PACK

	OUTPUT VOLTAGE	BATTERY CAPACITY	HEIGHT
CM-79 (Intrinsically safe type)	7.2 V	600 mAh	67 mm (2.6 in)

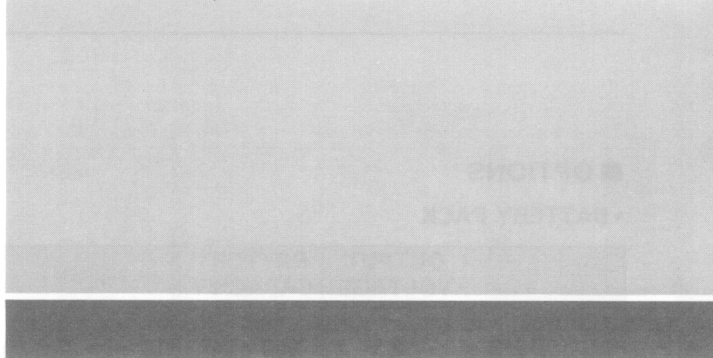
• BM-71U/E AC BATTERY CHARGER

Rapidly charges the CM-79 BATTERY PACK.

• FA-450TA FLEXIBLE ANTENNA

Long-type flexible antennas. Ensure you longer distance communications.

Count on us!



A-5172S-1EX
Printed in Japan
Copyright © 1991 by Icom Inc.

Icom Inc.
6-9-16, Kamihigashi, Hirano-ku, Osaka 547, Japan